

Revision History

V1.0

24.08.2018 Initial Design Started

V1.1

11/9/2019 Updated the SoM header connection on DDR socket

V2.0

3/10/2019 The SoM connection changed as per the MIG Standard

V2.1

02/02/2020 The board is changed for Black Solder mask

V2.1

9/03/2020 The board is reverted back for green Solder mask

V2.2

9/06/2020 The Iquester logo placement is rectified



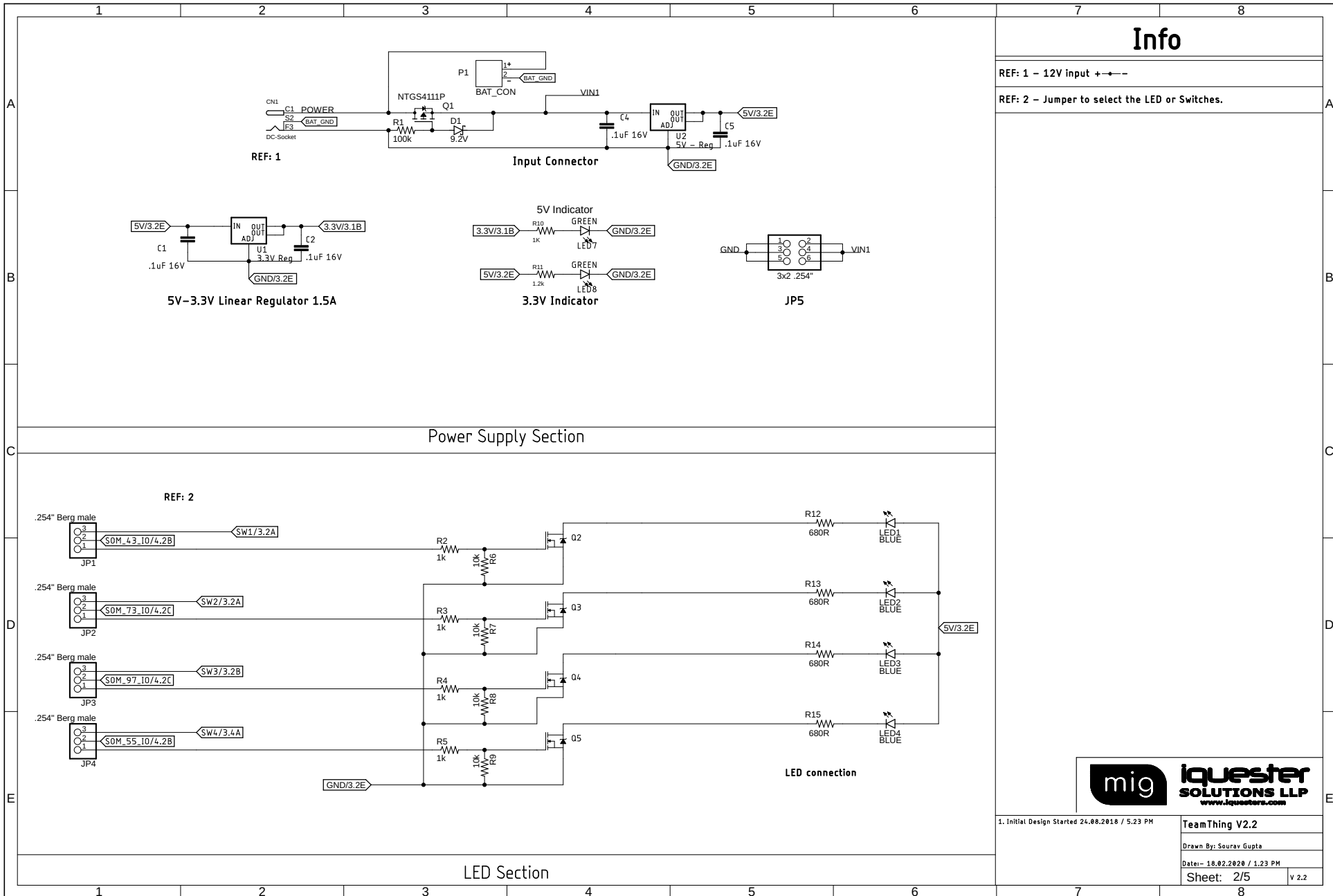
TeamThing V2.2

Drawn By: Sourav Gupta

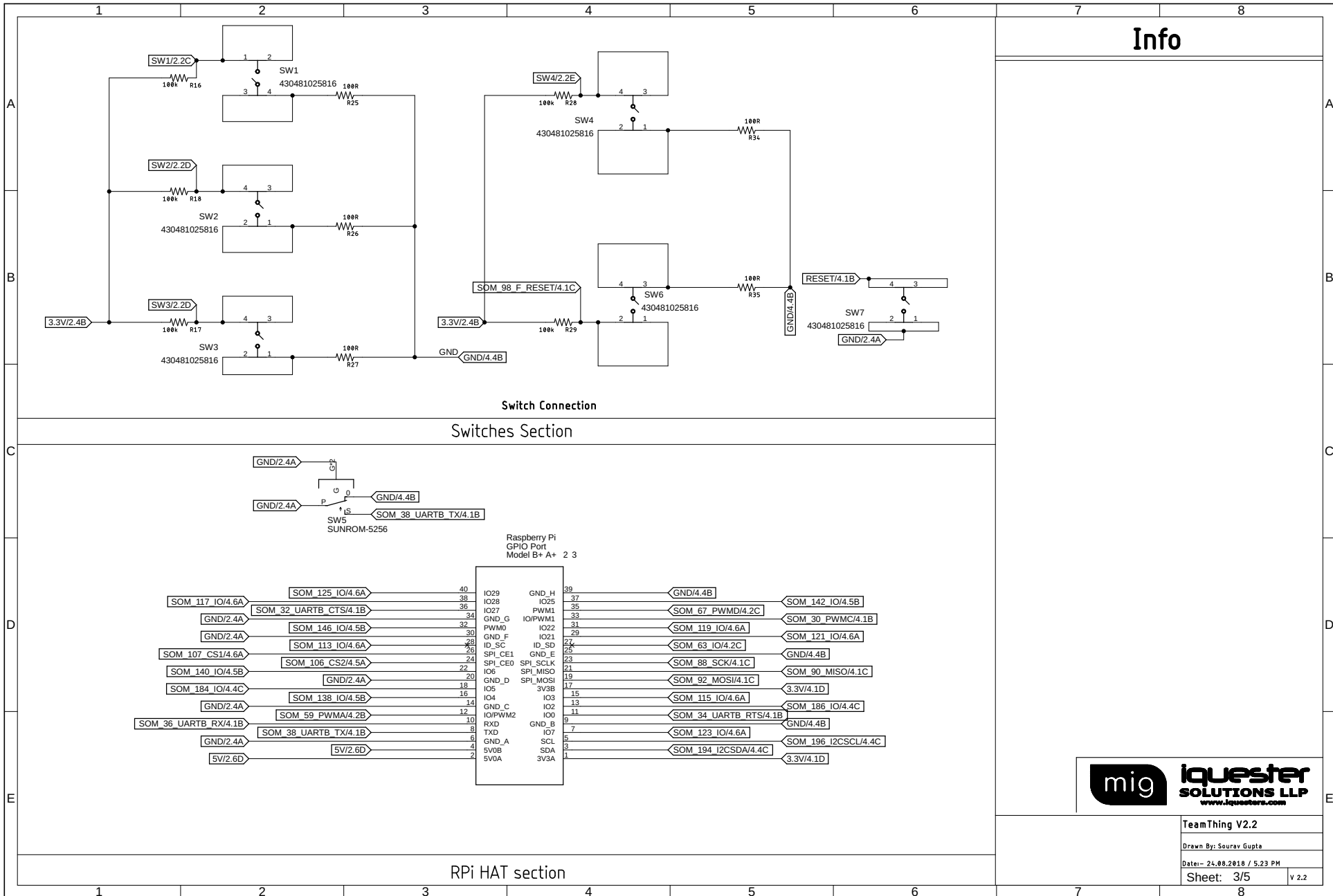
Date:- 24.08.2018 / 5:23 PM

Sheet: 1/5

v 2.2



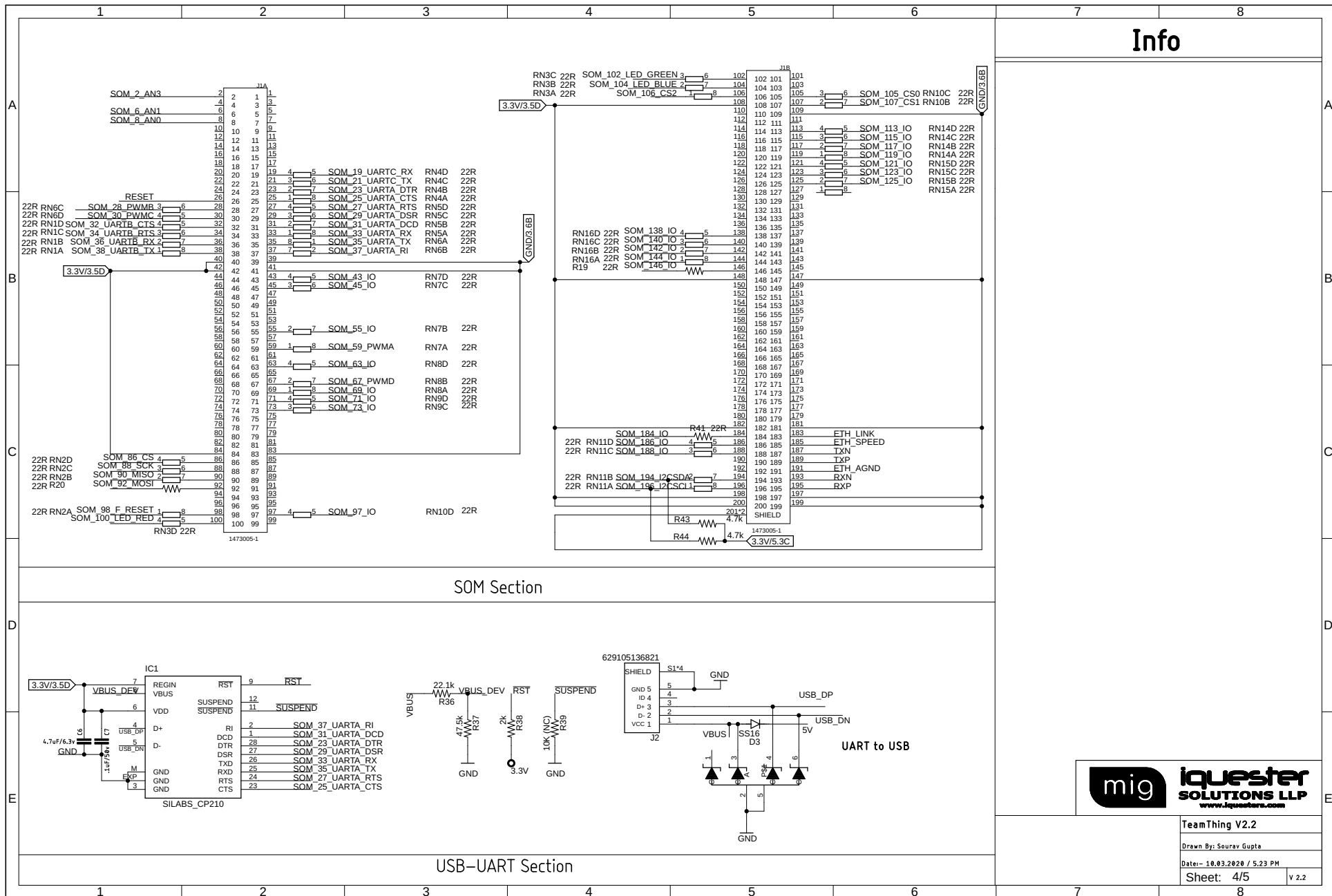
1. Initial Design Started 24.08.2018 / 5.23 PM	TeamThing V2.2
	Drawn By: Sourav Gupta
	Date:- 18.02.2020 / 1.23 PM
	Sheet: 2/5 v 2.2



Info



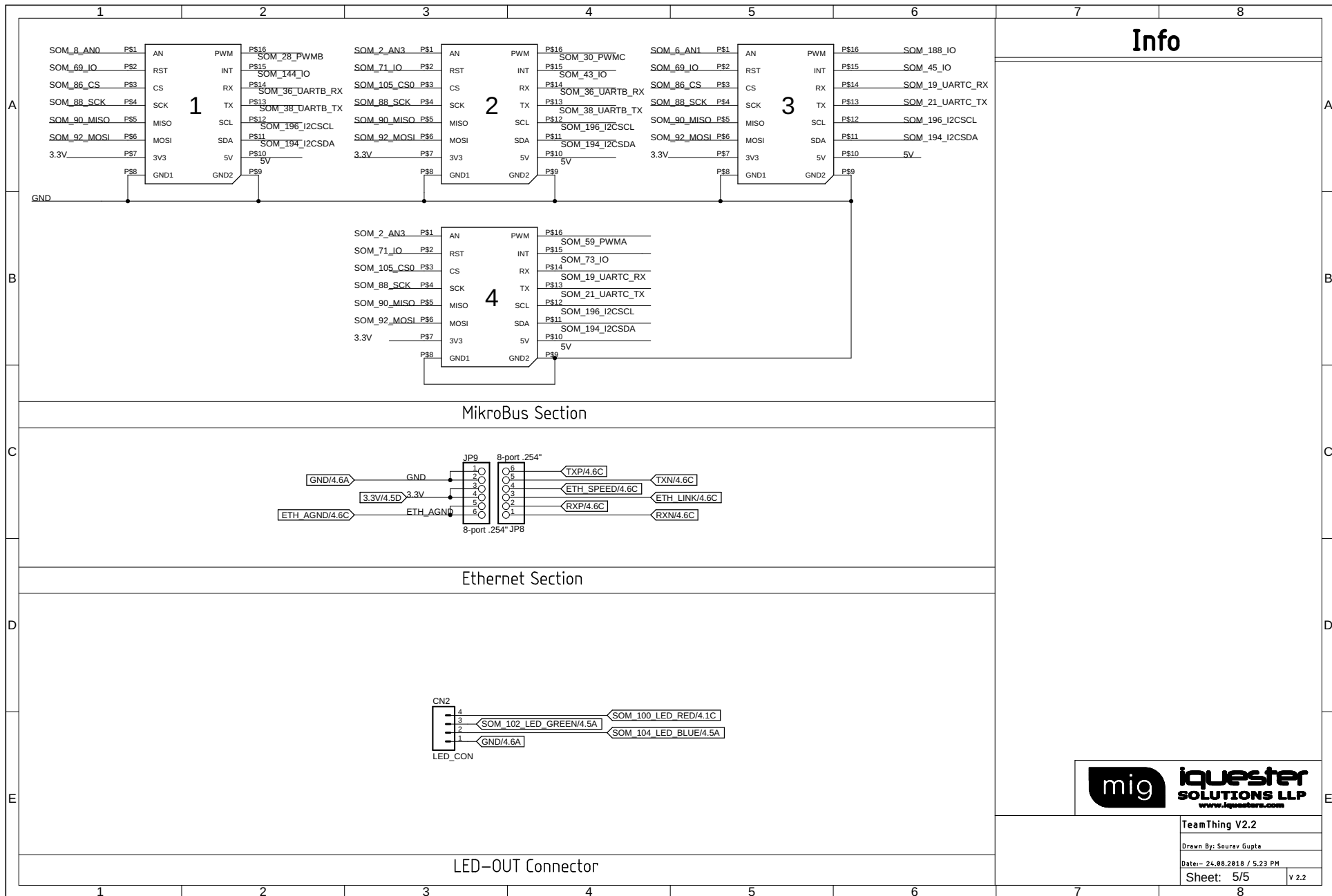
TeamThing V2.2
 Drawn By: Sourav Gupta
 Date: - 24.08.2018 / 5:23 PM
 Sheet: 3/5 v 2.2



Info

TeamThing V2.2
 Drawn By: Sourav Gupta
 Date: - 10.03.2020 / 5.23 PM
 Sheet: 4/5 v.2.2





TeamThing V2.2
 Drawn By: Sourav Gupta
 Date: - 24.08.2018 / 5:23 PM
 Sheet: 5/5 v.2.2