

Revision History

V1.0

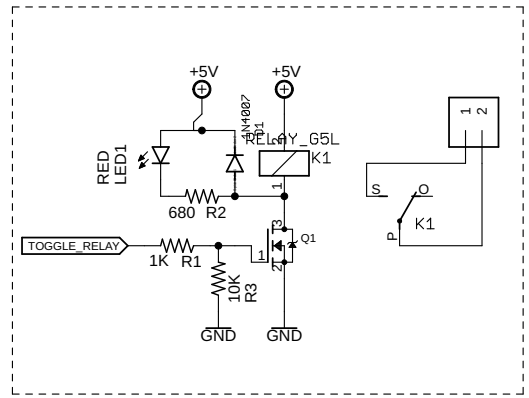
9/8/2019 Initial Design

V1.1

6/10/2019 Updated the pin names

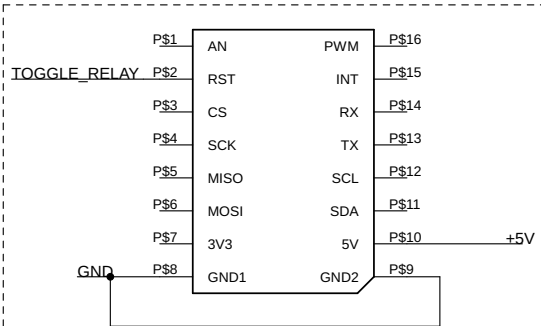


Size: A4	relay-board		
Designer:	Sourav Gupta		
Version:	V1.1	Date:	4.10.2019
Description:	This is a Relay board.		Page: 1/2
		Revision:	2



Relay

Peripheral



MIKROBUS CONNECTOR



Size: A4	relay-board		
Designer:	Sourav Gupta	Date:	4.10.2019
Version:	V1.1	Page:	2/2
Description:	This is a Relay board.		Revision:
			2