

Revision History

V1.0

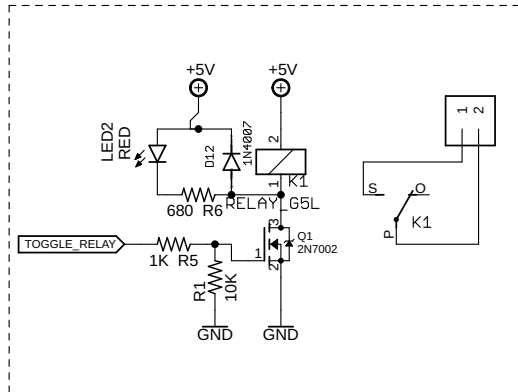
9/8/2019 Initial Design

V1.1

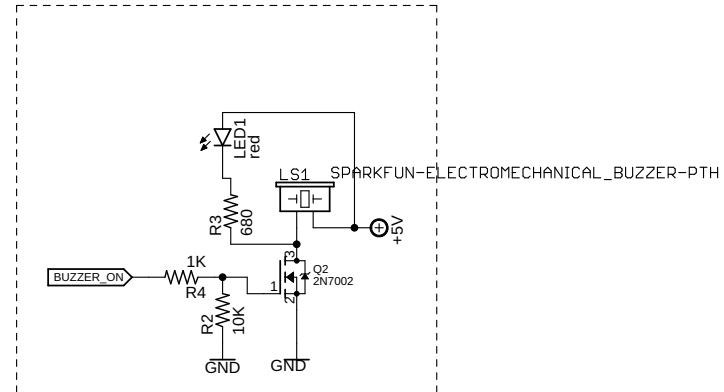
6/10/2019 Updated the pin names



Size: A4	relay-buzz-board		
Designer:	Sourav Gupta		
Version:	V1.1	Date:	6.10.2019
Description:	This is a Relay & Buzzer board.		Page: 1/2
		Revision:	1.0

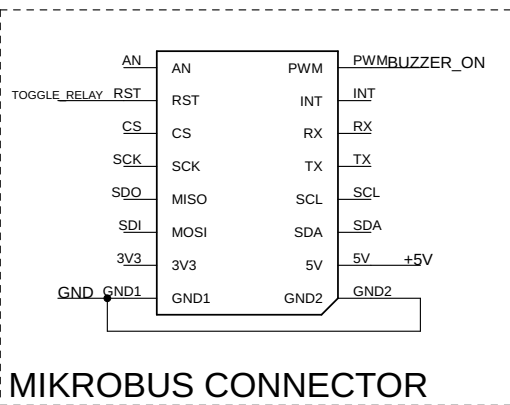


Relay



Buzzer

Peripheral



MIKROBUS CONNECTOR



Size: A4	relay-buzz-board		
Designer:	Sourav Gupta	Date:	6.10.2019
Version:	V1.1	Description:	This is a Relay & Buzzer board.
		Page:	2/2
		Revision:	1.0