

Revision History

V1.0

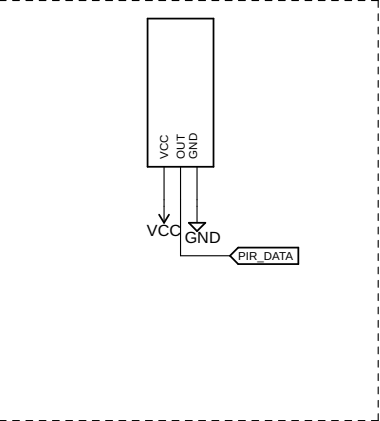
9/8/2019 Initial Design

V1.1

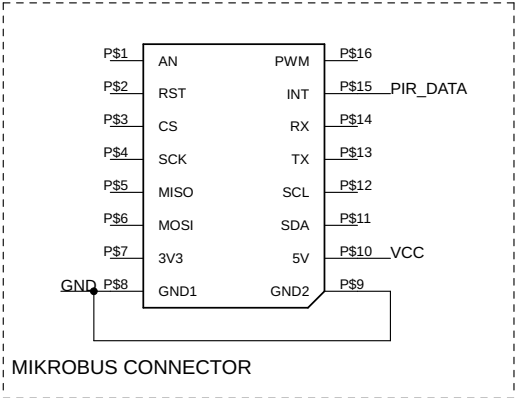
8/10/2019 Updated the pin names



Size: A4	motion-board		
Designer:	Sourav Gupta		
Version:	V1.1	Date:	04.10.2019
Description:	This is a PIR Sensor Board		Page: 1/2
		Revision:	2



Peripheral



Size: A4	motion-board		
Designer:	Sourav Gupta	Date:	04.10.2019
Version:	V1.1	Description:	This is a PIR Sensor Board
		Page:	2/2
		Revision:	2