

Revision History

V1.0

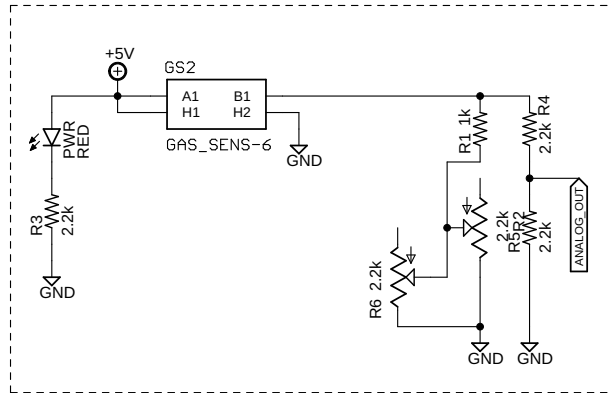
9/8/2019 Initial Design

V1.1

8/10/2019 Updated the pin names

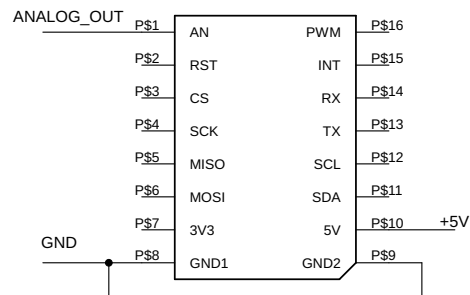


Size: A4	lpg-detect-board		
Designer:	Sourav Gupta		
Version:	V1.1	Date:	5.10.2019
Description:	This is a MQ-5 based lpg detection sensor board.		Page: 1/2
		Revision:	1.0



LPG-MQ5

Peripheral



MIKROBUS CONNECTOR



Size: A4	lpg-detect-board		
Designer:	Sourav Gupta	Date:	5.10.2019
Version:	V1.1	Description:	This is a M0-5 based lpg detection sensor board.
		Page:	2/2
		Revision:	1.0