

Revision History

V1.0

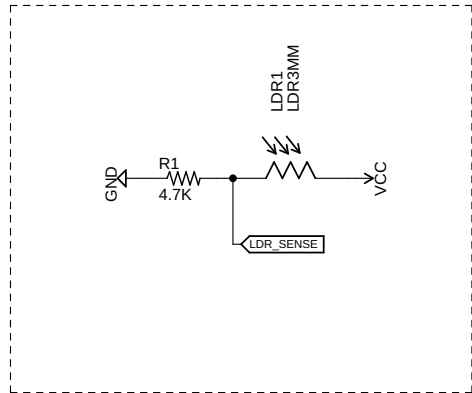
9/8/2019 Initial Design

V1.1

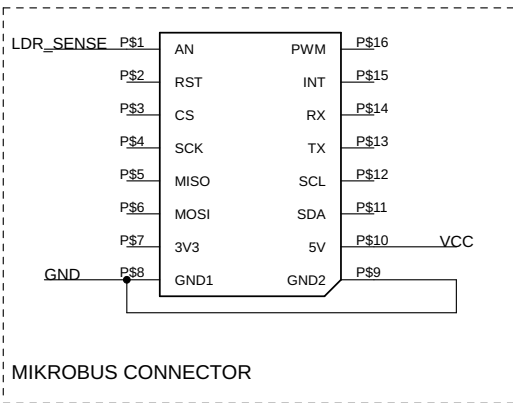
8/10/2019 Updated the pin names



Size: A4	light-detect-board		
Designer:	Sourav Gupta		
Version:	V1.1	Date:	8.10.2019
Description:	This is a sensor board based on LDR to detect light		Page: 1/2
		Revision:	1.0



Peripheral



Size: A4	light-detect-board		
Designer:	Sourav Gupta	Date:	8.10.2019
Version:	V1.1	Description:	This is a sensor board based on LDR to detect light
		Page:	2/2
		Revision:	1.0